

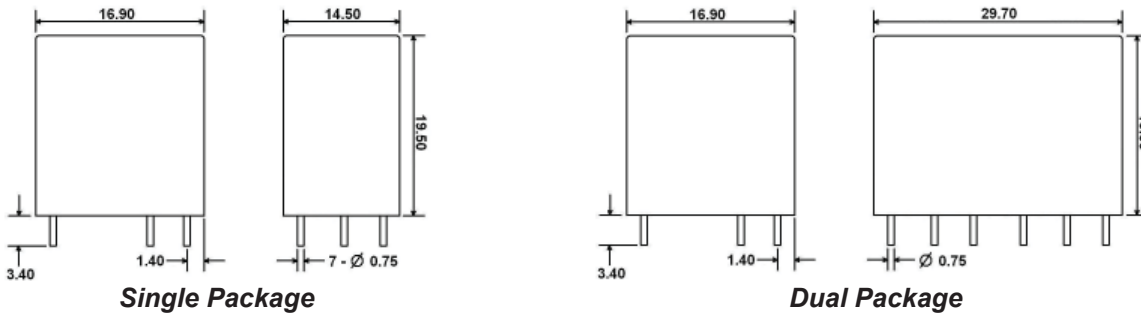
A4

Ordering Information

1. Series	A4	1C	S	12VDC
2. Contact Arrangement	1A = SPST N.O. 1C = SPDT 1U = SPST N.O. 1W = SPDT 2A = (2) SPST N.O. 2C = (2) SPDT 2U = (2) SPST N.O. 2W = (2) SPDT			
3. Sealing Option	S = Sealed C = Dust cover			
4. Coil Voltage	3VDC 5VDC 6VDC 9VDC 12VDC 18VDC 24VDC			

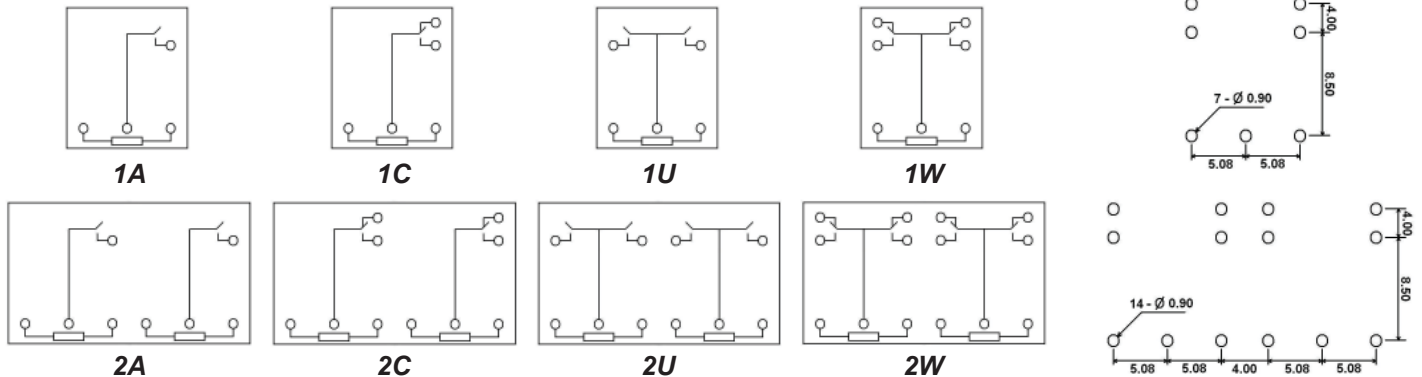
Dimensions

Units = mm



Schematics & PC Layouts

Bottom Views



Dimensions shown in mm. Dimensions are shown for reference purposes only.

Specifications and availability subject to change without notice.